

Ordering code

PC 6 01 □ □

① ② ③ ④ ⑤

① Model	② Port size	③ Thread connection		④ Standard color		⑤ Thread type
PC: Male connector 	4: Φ 4mm 6: Φ 6mm 8: Φ 8mm	Thread connection	Adaptable port size	Standard color	Specification	Blank: PT
POC: Male connector 	10: Φ 10mm 12: Φ 12mm	M5: M5X0.8	Φ 4, Φ 6	Blank: Gray	Release button: Gray	
		01: 1/8"	Φ 4, Φ 6	D: Black	Release button: Black	
		02: 1/4"	Φ 8, Φ 10			
		03: 3/8"	Φ 12			
		04: 1/2"				

Specification

Operating pressure range	0~10kgf/cm ² (0~1.0MPa)
Negative pressure	-750mmHg(10Torr)
Proof pressure	1.5MPa
Ambient and fluid temperature (°C)	-20~70
Applicable tubing	Soft nylon or polyurethane
Color	Grey/black

Product feature

1. The compact appearance space saving.

2. The threaded portion is covered with sealant and the M5 thread is attached with a sealing gasket to prevent air leakage over the connection thread portion.

3. Grey and black are optional for the release button.

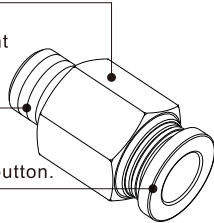
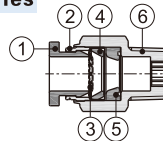


Table for interface port and tube O.D.

Product series	Thread type	Port size				
		Φ 4	Φ 6	Φ 8	Φ 10	Φ 12
PC	M5	●	●			
	1/8"	●	●	●	●	●
	1/4"	●	●	●	●	●
	3/8"		●	●	●	●
	1/2"		●	●	●	●
POC	M5	●	●			
	1/8"	●	●	●	●	
	1/4"	●	●	●	●	●
	3/8"		●	●	●	●
	1/2"			●	●	●

Inner structure

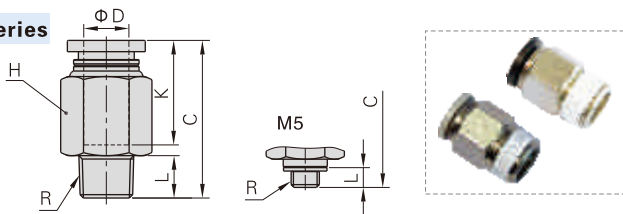
PC Series



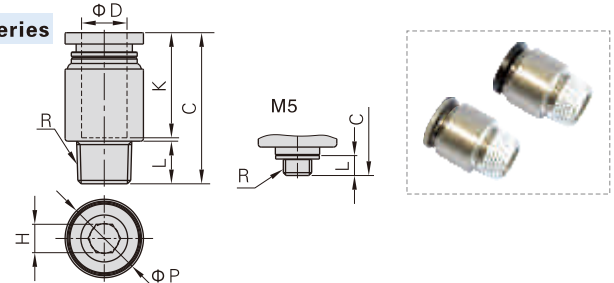
No.	Item	Material
1	Release button	POM
2	Guide	Aluminum alloy
3	Spring gasket	Stainless steel
4	Chuck	POM
5	O-ring	NBR
6	Body	Brass

Dimensions

PC Series



POC Series



Model\Item	Φ D	R	L	C	K	H(Across flat)	Weight(g)
PC4M5	4	M5×0.8	3.5	19.5	14	9	6.5
PC401		1/8"	7.5	19.5	14	10	7
PC402		1/4"	10	19.5	14	14	13.5
PC6M5	6	M5×0.8	3.5	22.5	16.5	12	8.5
PC601		1/8"	7.5	22.0	18.5	12	7.5
PC602		1/4"	10	24.5	18.5	14	15.5
PC603		3/8"	11	22.5	18.5	17	24
PC604		1/2"	14	26.0	18.5	21	46
PC801	8	1/8"	7.5	28	18.5	14	13.5
PC802		1/4"	10	27	18.5	14	13
PC803		3/8"	11	23.5	18.5	17	21
PC804		1/2"	14	27	18.5	21	43.5
PC1001	10	1/8"	7.5	30	21	17	20.5
PC1002		1/4"	10	32.5	21	17	24
PC1003		3/8"	11	28	21	17	20.5
PC1004	12	1/2"	14	26.5	21	21	36
PC1201		1/8"	7.5	32.5	23	21	38.5
PC1202		1/4"	10	35	23	21	40.5
PC1203		3/8"	11	30.5	23	21	28.5
PC1204	1/2"	14	32.5	23	21	41.5	

Model\Item	Φ D	R	Φ P	L	C	K	H(Across flat)	Weight(g)	
POC4M5	4	M5×0.8	9	3.5	18.5	14	2.5	3.6	
POC401		1/8"	10	7.5	18	14	3	5.5	
POC402		1/4"	14	10	19.5	14	3	12.6	
POC6M5	6	M5×0.8	12	3.5	21.5	16.5	2	5.9	
POC601		1/8"	12	7.5	22.0	18.5	4	6.3	
POC602		1/4"	14	10	22.0	18.5	4	11.8	
POC801		8	1/8"	14	7.5	26.5	18	5	9.9
POC802			1/4"	14	10	25	18	6	10.1
POC803	3/8"		17	11	23.5	18	6	19.3	
POC1001	10	1/8"	17	7.5	30	21	5	16.5	
POC1002		1/4"	17	10	29	21	6	15.4	
POC1003		3/8"	17	11	28	21	8	18.7	
POC1004	12	1/2"	21	14	26.5	21	8	35.3	
POC1202		1/4"	21	10	34.5	23	6	32.3	
POC1203		3/8"	21	11	30	23	8	25.1	
POC1204		1/2"	21	14	32	23	8	37.5	

Ordering code

PC 6 01 □ □ - M

① ② ③ ④ ⑤ ⑥

① Model	② Port size	③ Thread connection	④ Standard color	⑤ Thread type	⑥ Style type		
PC: Male connector 	3.2: Φ 3.2mm 4: Φ 4mm 6: Φ 6mm	Thread connection: Adaptable port size	Standard color	Blank: PT	M: Mini type		
PL: Male elbow 		M3: M3X0.5	Φ 3.2, Φ 4			Blank: Gray	Release button: Gray
		M5: M5X0.8	Φ 3.2, Φ 4, Φ 6			D: Black	Release button: Black
		O1: 1/8"	Φ 4, Φ 6				

Specification

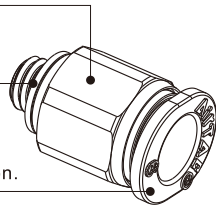
Operating pressure range	0~10kgf/cm²(0~1.0MPa)
Negative pressure	-750mmHg(10Torr)
Proof pressure	1.5MPa
Ambient and fluid temperature (°C)	-20~70
Applicable tubing	Soft nylon or polyurethane
Color	Grey/black

Table for interface port and tube O.D.

Product series	Thread type	Port size		
		Φ 3.2	Φ 4	Φ 6
PC/PL	M3	●	●	
	M5	●	●	●
	1/8"		●	●

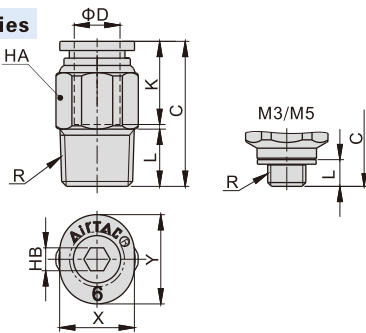
Product feature

- The compact appearance space saving.
- The threaded portion is covered with sealant and the M3/M5 thread is attached with a sealing gasket to prevent air leakage over the connection thread portion.
- Grey and black are optional for the release button.

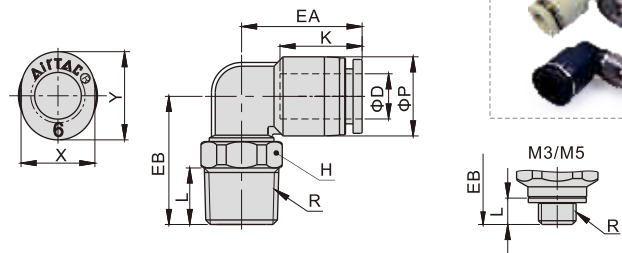


Dimensions

PC Series



PL Series



Model\Item	ΦD	R	L	C	K	X	Y	HA	HB	Weight(g)
PC3.2M3-M	3.2	M3×0.5	3	16	11.5	6.8	8.7	7	1.5	1.7
PC3.2M5-M		M5×0.8	3.5	16	11.5	6.8	8.7	7	2	2.0
PC4M3-M	4	M3×0.5	3	17.5	12.5	7.8	9.5	8	1.5	2.4
PC4M5-M		M5×0.8	3.5	17	12.5	7.8	9.5	8	2	2.7
PC401-M	6	1/8"	7.5	17.5	13.5	7.8	9.5	10	3	5.5
PC6M5-M		M5X0.8	3.5	18.5	13.5	9.8	11.7	10	2	3.6
PC601-M	1/8"	7.5	19.0	15.5	9.8	11.7	10	4	6.0	

Model\Item	ΦD	R	ΦP	L	K	EA	EB	H	X	Y	Weight(g)
PL3.2M3-M	3.2	M3×0.5	7.5	3	12	14.5	14	7	6.8	8.7	2.4
PL3.2M5-M		M5×0.8		3.5	12		14.5	7	6.8	8.7	2.7
PL4M3-M	4	M3×0.5	8.5	3	12.5	15	14	7	7.8	9.5	3.0
PL4M5-M		M5×0.8		3.5	12.5		14.5	7	7.8	9.5	3.3
PL401-M	6	1/8"	10.5	7.5	12.5	16.0	16	10	7.8	9.5	6.2
PL6M5-M		M5X0.8		3.5	13.5		15.5	7	9.8	11.7	4.0
PL601-M	1/8"	7.5	13.5	7.5	13.5	16.5	10	9.8	11.7	6.8	

Accessories—One-Touch Fittings

One-touch fittings—threaded type

Ordering code

Same diameter type fittings

PL 6 01
 ① ② ③ ④ ⑤

① Model	② Port size	③ Thread connection	④ Standard color	⑤ Thread type
PHW: Double universal male elbow 	PL: Male elbow 	Thread connection	Standard color	Blank: PT
PHF: Universal female elbow 	PLL: Extended male elbow 	M5: M5X0.8	Blank: Gray	
PEB: Male branch tee 	PLF: Female elbow 	④4, ⑥6	Release button: Gray Body: Gray	
PED: Male run tee 	PCF: Female connector 	01: 1/8" 02: 1/4" 03: 3/8" 04: 1/2"	D: Black	
PYB: Branch "Y" 	PMF: Bulkhead connector 	④4, ⑥6 ⑧8, ⑩10 ⑫12	Release button: Black Body: Black	
PZB: Threaded cross 	PH: Universal male elbow 			

Different diameter type fittings

PKD 6 - 4 01
 ① ② ③ ④ ⑤ ⑥

① Model	② Port size	③ Port size	④ Thread connection	⑤ Standard color	⑥ Thread type
PKD: Male reducer triple branch 	6: ④6mm 8: ⑥8mm 10: ⑩10mm	4: ④4mm 6: ⑥6mm 8: ⑧8mm	01: 1/8" 02: 1/4" 03: 3/8"	Standard color: Blank: Gray D: Black	Specification: Release button: Gray/Body: Gray Release button: Black/Body: Black

Specification

Operating pressure range	0~10kgf/cm ² (0~1.0MPa)
Negative pressure	-750mmHg(10Torr)
Proof pressure	1.5MPa
Ambient and fluid temperature (°C)	-20~70
Applicable tubing	Soft nylon or polyurethane
Color	Grey/black

Product feature

- Variable models can be widely used in every kind of pneumatic systems.
- High circulation performance: bear the same flow with the volume of the tubing inside diameter.
- Connect tubing easily and conveniently. The tubing connection portion is safe and durable.
- The threaded portion is covered with sealant and the M5 thread is attached with a sealing gasket to prevent air leakage over the connection thread portion.
- The nickel plated body is anti-corrosion and anti-pollution, which allows a broader application.

Inner structure

No.	Item	Material
1	Release button	POM
2	Guide	Aluminum alloy
3	Spring gasket	Stainless steel
4	Chuck	POM
5	O-ring	NBR
6	Body	PBT
7	O-ring	NBR
8	Stud	Brass

Table for interface port and tube O.D.

Product series	Thread type	Port size				
		④4	⑥6	⑧8	⑩10	⑫12
PL	M5	●	●			
	1/8"	●	●	●	●	●
	1/4"	●	●	●	●	●
	3/8"		●	●	●	●
PLL	M5	●	●			
	1/8"	●	●	●	●	
	1/4"	●	●	●	●	●
	3/8"		●	●	●	●
PEB	M5	●	●			
	1/8"	●	●	●	●	
	1/4"	●	●	●	●	●
	3/8"		●	●	●	●
PED	M5	●	●			
	1/8"	●	●	●	●	
	1/4"	●	●	●	●	●
	3/8"		●	●	●	●
PYB	M5	●	●			
	1/8"	●	●	●	●	
	1/4"	●	●	●	●	●
	3/8"		●	●	●	●
PH	M5	●	●			
	1/8"	●	●	●	●	
	1/4"	●	●	●	●	●
	3/8"		●	●	●	●
PHF	M5	●	●			
	1/8"	●	●	●	●	
	1/4"	●	●	●	●	●
	3/8"		●	●	●	●
PHW	M5	●	●			
	1/8"	●	●	●	●	
	1/4"	●	●	●	●	●
	3/8"		●	●	●	●
PZB	M5	●	●			
	1/8"	●	●	●	●	
	1/4"	●	●	●	●	●
	3/8"		●	●	●	●

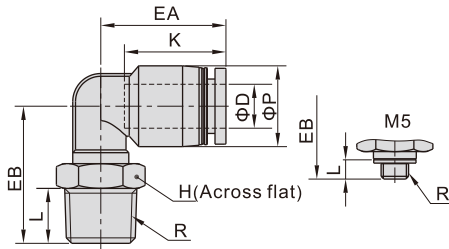
Product series	Thread type	Port size		
		④6-④4	⑧8-⑥6	⑩10-⑧8
PKD	1/8"	●		
	1/4"		●	
	3/8"			●

Accessories—One-Touch Fittings

One-touch fittings—threaded type

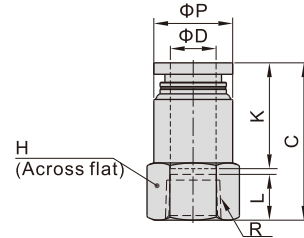
Dimensions

PL Series



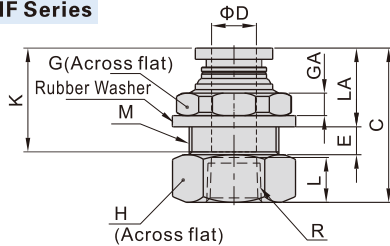
Model\Item	ΦD	R	ΦP	L	K	EA	EB	H	Weight(g)
PL4M5	4	M5×0.8	9	3.5	14	17	15	8	3
PL401		1/8"	9	7.5	14	17	18.5	10	4.5
PL402		1/4"	9	10	14	17	22.0	14	12
PL6M5	6	M5×0.8	12.5	3.5	17	20	17.0	8	4.5
PL601		1/8"	12.5	7.5	17	20	20.5	10	6
PL602		1/4"	12.5	10	17	20	24.0	14	13.5
PL603		3/8"	12.5	11	17	20	25.5	17	20.5
PL604	1/2"	12.5	14	17	20	30.0	21	36	
PL801	8	1/8"	15	7.5	18.5	23	20.5	10	7.5
PL802		1/4"	15	10	18.5	23	25.0	14	13
PL803		3/8"	15	11	18.5	23	26.5	17	21
PL804		1/2"	15	14	18.5	23	31.0	21	36
PL1001	10	1/8"	18	7.5	21	25.5	25.0	17	16.5
PL1002		1/4"	18	10	21	25.5	27.0	17	19
PL1003		3/8"	18	11	21	25.5	28.0	17	21
PL1004	1/2"	18	14	21	25.5	32.5	21	37	
PL1201	12	1/8"	21	7.5	23	28.5	26.5	17	19
PL1202		1/4"	21	10	23	28.5	28.5	17	21.5
PL1203		3/8"	21	11	23	29.5	33	17	25.5
PL1204		1/2"	21	14	23	29.5	34	21	37

PCF Series



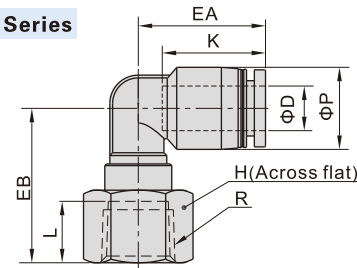
Model\Item	ΦD	R	ΦP	L	C	K	H	Weight(g)
PCF4M5	4	M5×0.8	9	5	21	14	10	2.7
PCF401		1/8"	9.5	8	23	14	14	4.5
PCF402		1/4"	9.5	11	26	14	17	6.5
PCF6M5	6	M5×0.8	12	5	21.5	16.5	12	3.9
PCF601		1/8"	12.5	8	25.5	16.5	14	5.6
PCF602		1/4"	12.5	11	28.5	16.5	17	7.5
PCF603		3/8"	13	12	29.5	16.5	21	10.7
PCF604	1/2"	13	13.5	31.0	16.5	25	13.8	
PCF801	8	1/8"	14	8	27.5	18.5	14	5.8
PCF802		1/4"	14.5	11	30.5	18.5	17	8.4
PCF803		3/8"	14.5	12	31.5	18.5	21	11.2
PCF804		1/2"	14.5	13.5	33	18.5	25	14.4
PCF1001	10	1/8"	17	8	29	21	17	9.5
PCF1002		1/4"	17	11	33	21	17	9.9
PCF1003		3/8"	18	12	34	21	21	14
PCF1004	1/2"	18	13.5	35.5	21	25	17.1	
PCF1202	12	1/4"	21	11	33.5	23	21	17.5
PCF1203		3/8"	21	12	35.5	23	21	16.6
PCF1204		1/2"	21	13.5	37	23	25	19.7

PMF Series



Model\Item	ΦD	R	M	L	C	K	LA	E	GA	G	H	Weight(g)
PMF401	4	1/8"	M12X1	8	25	14	12	4	4	14	14	6.4
PMF402		1/4"	M12X1	11	29	14	12	4	4	14	17	9
PMF601		1/8"	M14X1	8	25.5	16.5	12.5	5	4	17	17	9.1
PMF602	6	1/4"	M14X1	11	30.5	16.5	12.5	5	4	17	17	10.9
PMF603		3/8"	M14X1	12	31.5	16.5	12.5	5	4	17	21	13.2
PMF801	8	1/8"	M16X1	8	27.5	18.5	13.5	5.5	4	19	19	12.8
PMF802		1/4"	M16X1	11	32	18.5	13.5	5.5	4	19	19	15.7
PMF803		3/8"	M16X1	12	33	18.5	13.5	5.5	4	19	21	15
PMF804		1/2"	M16X1	13.5	34.5	18.5	13.5	5.5	4	19	25	18.1
PMF1001	10	1/8"	M20X1	8	30	21	14.5	7.5	5	24	22	19.6
PMF1002		1/4"	M20X1	11	35	21	14.5	7.5	5	24	22	22.8
PMF1003		3/8"	M20X1	12	36	21	14.5	7.5	5	24	22	21.1
PMF1004	1/2"	M20X1	13.5	37.5	21	14.5	7.5	5	24	25	23.2	
PMF1202	12	1/4"	M22X1	11	34.5	23	15.5	8	6	27	24	26.2
PMF1203		3/8"	M22X1	12	37.5	23	15.5	8	6	27	24	27
PMF1204		1/2"	M22X1	13.5	39	23	15.5	8	6	27	25	26.2

PLF Series

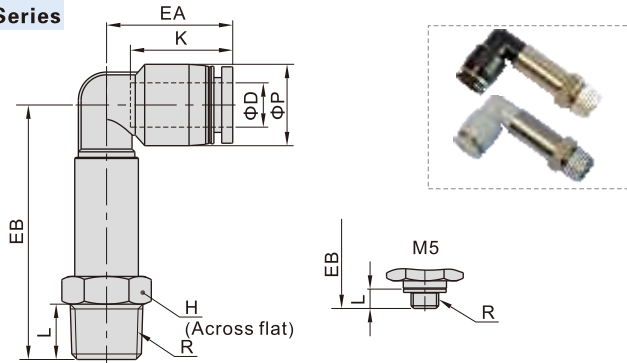


Model\Item	ΦD	R	ΦP	L	K	EA	EB	H	Weight(g)
PLF4M5	4	M5×0.8	9	5	14	17	16	10	2.9
PLF401		1/8"	9	8	14	17	21	14	4.6
PLF402		1/4"	9	11	14	17	24	17	6.8
PLF6M5	6	M5×0.8	12.5	5	17	20	18.5	10	7
PLF601		1/8"	12.5	8	17	20	23	14	5.8
PLF602		1/4"	12.5	11	17	20	26	17	8
PLF603		3/8"	12.5	12	17	20	27	21	10.7
PLF801	8	1/8"	15	8	18.5	23	20	14	6.6
PLF802		1/4"	15	11	18.5	23	27.5	17	9.2
PLF803		3/8"	15	12	18.5	23	28.5	21	11.9
PLF804		1/2"	15	13.5	18.5	23	30	25	15.2
PLF1001	10	1/8"	18	8	21	25.5	24	17	11.3
PLF1002		1/4"	18	11	21	25.5	26.5	17	11.2
PLF1003		3/8"	18	12	21	25.5	30	21	14.5
PLF1004	1/2"	18	13.5	21	25.5	31.5	25	17.4	
PLF1202	12	1/4"	21	11	23	28.5	28.5	17	13.7
PLF1203		3/8"	21	12	23	29.5	32	21	17.4
PLF1204		1/2"	21	13.5	23	29.5	33	25	20.4

Accessories—One-Touch Fittings

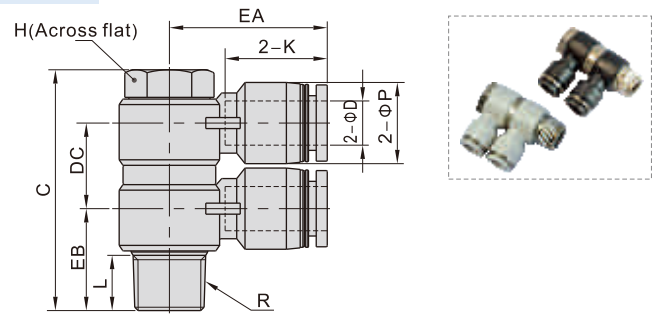
One-touch fittings—threaded type

PLL Series



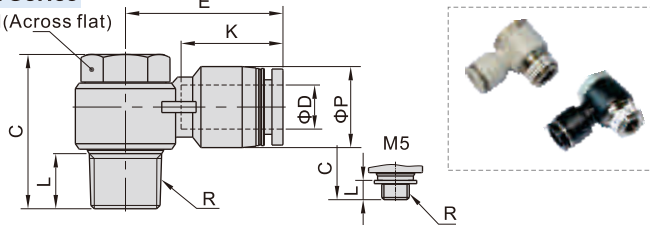
Model\Item	ΦD	R	ΦP	L	K	EA	EB	H	Weight(g)
PLL4M5	4	M5×0.8	9	3.5	14	17	32.5	8	8.9
PLL401		1/8"	9	7.5	14	17	35.5	10	12.3
PLL402		1/4"	9	10	14	17	38.5	14	16.9
PLL6M5	6	M5×0.8	12.5	3.5	17	20	34.5	8	9.9
PLL601		1/8"	12.5	7.5	17	20	37.5	10	13
PLL602		1/4"	12.5	10	17	20	40.5	14	18
PLL603	6	3/8"	12.5	11	17	20	43	17	23.4
PLL801		1/8"	15	7.5	18.5	23	43.5	12	16.6
PLL802		1/4"	15	10	18.5	23	45.5	14	22.7
PLL803	8	3/8"	15	11	18.5	23	48	17	27.7
PLL1001		1/8"	18	7.5	21	25.5	50.5	15	37.5
PLL1002		1/4"	18	10	21	25.5	53.5	15	40.6
PLL1003	10	3/8"	18	11	21	25.5	54.5	17	40.7
PLL1004		1/2"	18	14	21	25.5	59	21	47.4
PLL1202		1/4"	21	10	23	28.5	55.5	15	43
PLL1203	12	3/8"	21	11	23	29.5	60	17	55.4
PLL1204		1/2"	21	14	23	29.5	63	21	56.7

PHW Series



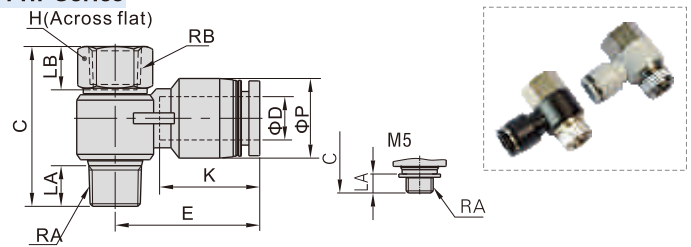
Model\Item	ΦD	R	ΦP	L	C	K	EA	EB	DC	H	Weight(g)
PHW401	4	1/8"	9	7.5	38	14	20.5	14.5	13	11	19
PHW601		1/8"	12.5	7.5	38	16.5	23.0	15	13	11	21
PHW602	6	1/4"	12.5	10	43.5	16.5	25.0	17.5	15.5	14	40.2
PHW603		3/8"	12.5	11	50	16.5	27.0	20	16.5	19	69.2
PHW801	8	1/8"	15	7.5	40.5	18.5	26.5	16.5	15.5	11	23.6
PHW802		1/4"	15	10	43.5	18.5	28.5	18.5	15.5	14	40.8
PHW803		3/8"	15	11	50	18.5	29.5	20	16.5	19	70.4
PHW804	8	1/2"	15	14	61	18.5	32	24.5	22	24	134.8
PHW1002		1/4"	18	10	46.5	21	31	20	18.5	14	47
PHW1003	10	3/8"	18	11	55	21	33	21	22	19	87.5
PHW1004		1/2"	18	14	61	21	35.5	25	22	24	137.7
PHW1203	12	3/8"	21	11	55	23	36	23	22	19	86.4
PHW1204		1/2"	21	14	61	23	38	26.5	22	24	147.5

PH Series



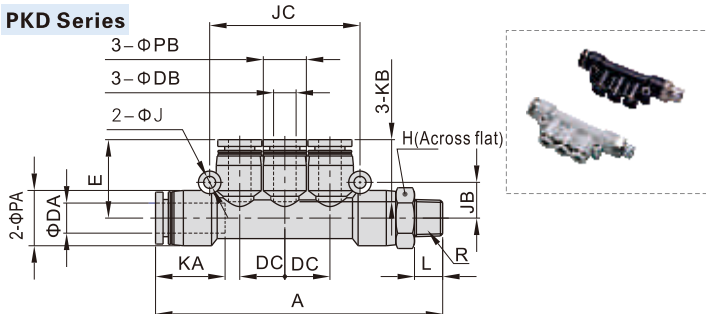
Model\Item	ΦD	R	ΦP	L	C	K	E	H	Weight(g)
PH4M5	4	M5×0.8	9	3.5	17	14	19	8	5.8
PH401		1/8"	9	7.5	25	14	20.5	11	12.8
PH6M5	6	M5×0.8	12.5	3.5	17	16.5	23.5	8	6.8
PH601		1/8"	12.5	7.5	25	16.5	23	11	14
PH602	6	1/4"	12.5	10	28	16.5	25	14	25.4
PH603		3/8"	12.5	11	33	16.5	27	19	50.2
PH801	8	1/8"	15	7.5	25	18.5	26.5	11	14.7
PH802		1/4"	15	10	28	18.5	28.5	14	26.4
PH803	8	3/8"	15	11	33	18.5	29.5	19	49.4
PH804		1/2"	15	14	39	18.5	32	24	89
PH1002	10	1/4"	18	10	28	21	31	14	27.7
PH1003		3/8"	18	11	33	21	33	19	51.1
PH1004	10	1/2"	18	14	39	21	35.5	24	88.5
PH1203		3/8"	21	11	33	23	36	19	53
PH1204	12	1/2"	21	14	39	23	38	24	92.8

PHF Series



Model\Item	ΦD	RA	RB	ΦP	LA	LB	C	K	E	H	Weight(g)
PHF4M5	4	M5×0.8	M5×0.8	9	3.5	6	20	14	19	8	6.2
PHF401		1/8"	1/8"	9	7.5	8	29.5	14	20.5	12	12.9
PHF6M5	6	M5×0.8	M5×0.8	12.5	3.5	6	20	16.5	23.5	8	7.1
PHF601		1/8"	1/8"	12.5	7.5	8	29.5	16.5	23	12	13.9
PHF602	6	1/4"	1/4"	12.5	10	11	35	16.5	25	17	30.3
PHF603		3/8"	3/8"	12.5	11	12	40	16.5	27	19	44.2
PHF801	8	1/8"	1/8"	15	7.5	8	29.5	18.5	26.5	12	15
PHF802		1/4"	1/4"	15	10	11	35	18.5	28.5	17	30.7
PHF803	8	3/8"	3/8"	15	11	12	40	18.5	29.5	19	44.8
PHF804		1/2"	1/2"	15	14	13.5	47.5	18.5	32	24	84.7
PHF1002	10	1/4"	1/4"	18	10	11	35	21	31	17	32
PHF1003		3/8"	3/8"	18	11	12	40	21	33	19	46.2
PHF1004	10	1/2"	1/2"	18	14	13.5	47.5	21	35.5	24	86.1
PHF1203		3/8"	3/8"	21	11	12	40	23	36	19	48.4
PHF1204	12	1/2"	1/2"	21	14	13.5	47.5	23	38	24	89.7

PKD Series



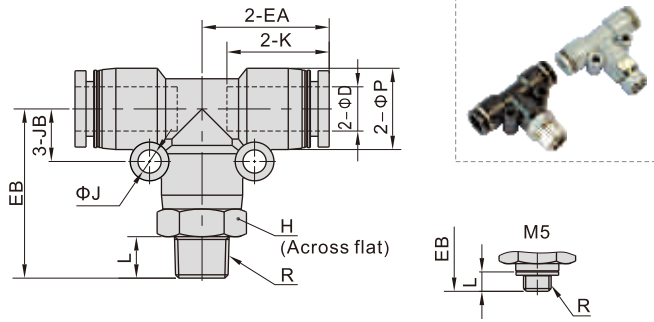
Model\Item	ΦDA	ΦDB	R	L	A	ΦPA	ΦPB	KA
PKD6-401	6	4	1/8"	7.5	66.5	12.5	9	16.5
PKD8-602	8	6	1/4"	10	79	15	12.5	18.5
PKD10-803	10	8	3/8"	11	91.5	18	15	21

Model\Item	KB	ΦJ	JB	JC	DC	E	H	Weight(g)
PKD6-401	14	3.2	8	34	10	17.5	12	15.8
PKD8-602	16.5	3.2	9.5	40	12	21	14	26.5
PKD10-803	18.5	4.3	11	48	14.5	24	17	38.2

Accessories—One-Touch Fittings

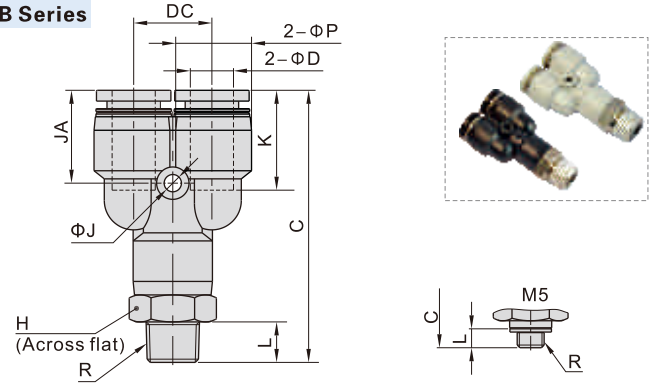
One-touch fittings—threaded type

PEB Series



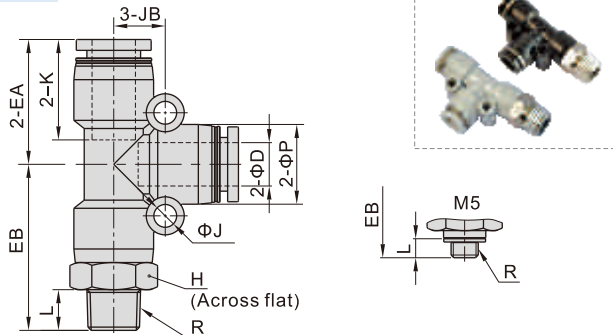
Model\Item	φD	R	φP	L	K	EA	EB	φJ	JB	H	Weight(g)
PEB4M5		M5×0.8	9	3.5	14	17	21	3.2	6.5	9	6.8
PEB401	4	1/8"	9	7.5	14	17	25	3.2	6.5	10	8.8
PEB402	4	1/4"	9	10	14	17	28	3.2	6.5	14	15.5
PEB6M5		M5×0.8	12.5	3.5	16.5	20	23.5	3.2	8	12	11.2
PEB601	6	1/8"	12.5	7.5	16.5	20	27.5	3.2	8	12	13.5
PEB602	6	1/4"	12.5	10	16.5	20	30.5	3.2	8	14	18.6
PEB603	6	3/8"	12.5	11	16.5	20	32	3.2	8	17	25.3
PEB801	8	1/8"	15	7.5	18.5	23	30.5	4.3	9.5	14	18.4
PEB802	8	1/4"	15	10	18.5	23	33	4.3	9.5	14	21.3
PEB803	8	3/8"	15	11	18.5	23	34.5	4.3	9.5	17	28.2
PEB804	8	1/2"	15	14	18.5	23	38.5	4.3	9.5	21	41
PEB1001	10	1/8"	18	7.5	21	26.5	34	4.3	11	17	26.7
PEB1002	10	1/4"	18	10	21	26.5	36.5	4.3	11	17	29.2
PEB1003	10	3/8"	18	11	21	26.5	37.5	4.3	11	17	31.9
PEB1004	10	1/2"	18	14	21	26.5	41.5	4.3	11	21	45.4
PEB1202	12	1/4"	21	10	23	30	41	4.3	13	21	49.6
PEB1203	12	3/8"	21	11	23	30	42	4.3	13	21	51.2
PEB1204	12	1/2"	21	14	23	30	45	4.3	13	21	57.3

PYB Series



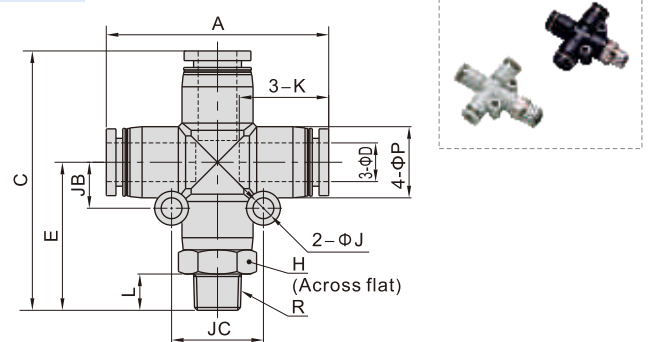
Model\Item	φD	R	φP	L	C	K	φJ	JA	DC	H	Weight(g)
PYB4M5		M5×0.8	9	3.5	35.5	14	3.2	13	10	9	6.7
PYB401	4	1/8"	9	7.5	39.5	14	3.2	13	10	10	9
PYB402	4	1/4"	9	10	42.5	14	3.2	13	10	14	10.8
PYB6M5		M5×0.8	12.5	3.5	40.5	16.5	3.2	15.5	12	12	11.1
PYB601	6	1/8"	12.5	7.5	44.5	16.5	3.2	15.5	12	12	13.7
PYB602	6	1/4"	12.5	10	47.5	16.5	3.2	15.5	12	14	18.2
PYB603	6	3/8"	12.5	11	49.0	16.5	3.2	15.5	12	17	25
PYB801	8	1/8"	15	7.5	50	18.5	3.2	17	14.5	14	19.8
PYB802	8	1/4"	15	10	52.5	18.5	3.2	17	14.5	14	22
PYB803	8	3/8"	15	11	54	18.5	3.2	17	14.5	17	27.7
PYB804	8	1/2"	15	14	58	18.5	3.2	17	14.5	21	40.8
PYB1001	10	1/8"	18	7.5	56.5	21	4.3	19.5	18	17	27.4
PYB1002	10	1/4"	18	10	59	21	4.3	19.5	18	17	29.5
PYB1003	10	3/8"	18	11	60	21	4.3	19.5	18	17	32.5
PYB1004	10	1/2"	18	14	64	21	4.3	19.5	18	21	45.4
PYB1202	12	1/4"	21	10	66	23	4.3	21	20.5	21	27.3
PYB1203	12	3/8"	21	11	67	23	4.3	21	20.5	21	51.8
PYB1204	12	1/2"	21	14	70	23	4.3	21	20.5	21	56.8

PED Series



Model\Item	φD	R	φP	L	K	EA	EB	φJ	JB	H	Weight(g)
PED4M5		M5×0.8	9	3.5	14	17	21	3.2	6.5	9	6.8
PED401	4	1/8"	9	7.5	14	17	25	3.2	6.5	10	8.8
PED402	4	1/4"	9	10	14	17	28	3.2	6.5	14	15.5
PED6M5		M5×0.8	12.5	3.5	16.5	20	23.5	3.2	8	12	11.2
PED601	6	1/8"	12.5	7.5	16.5	20	27.5	3.2	8	12	13.5
PED602	6	1/4"	12.5	10	16.5	20	30.5	3.2	8	14	18.6
PED603	6	3/8"	12.5	11	16.5	20	32	3.2	8	17	25.3
PED801	8	1/8"	15	7.5	18.5	23	30.5	4.3	9.5	14	18.4
PED802	8	1/4"	15	10	18.5	23	33	4.3	9.5	14	21.3
PED803	8	3/8"	15	11	18.5	23	34.5	4.3	9.5	17	28.2
PED804	8	1/2"	15	14	18.5	23	38.5	4.3	9.5	21	41
PED1001	10	1/8"	18	7.5	21	26.5	34	4.3	11	17	26.7
PED1002	10	1/4"	18	10	21	26.5	36.5	4.3	11	17	29.2
PED1003	10	3/8"	18	11	21	26.5	37.5	4.3	11	17	31.9
PED1004	10	1/2"	18	14	21	26.5	41.5	4.3	11	21	45.4
PED1202	12	1/4"	21	10	23	30	41	4.3	13	21	49.6
PED1203	12	3/8"	21	11	23	30	42	4.3	13	21	51.2
PED1204	12	1/2"	21	14	23	30	45	4.3	13	21	57.3

PZB Series



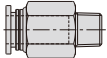
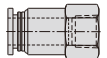
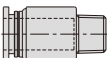
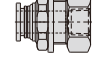
Model\Item	φD	R	L	A	E	C	φP	K	φJ	JB	JC	H	Weight(g)
PZB601	6	1/8"	7.5		27.5	47.5						12	15.2
PZB602	6	1/4"	10	39.5	30.5	50.5	12.5	16.5	3.2	8	16	14	20.4
PZB603	6	3/8"	11		32	52						17	27
PZB801	8	1/8"	7.5		30.5	53.5						14	20.9
PZB802	8	1/4"	10	46	33	56	15	18.5	4.3	9.5	19	14	23.8
PZB803	8	3/8"	11		34.5	57.5						17	29.9
PZB804	8	1/2"	14		38.5	61.5						21	43.5
PZB1002	10	1/4"	10		36.5	63						17	33.5
PZB1003	10	3/8"	11	52.5	37.5	64	18	21	4.3	11	22	17	36.5
PZB1004	10	1/2"	14		41.5	68						21	49.2
PZB1203	12	3/8"	11		42	72						21	56.5
PZB1204	12	1/2"	14	59.5	45	75	21	23	4.3	13	26	21	65.4

Metal one-touch fittings

Ordering code


BPC 6 01 □

① ② ③ ④

① Model		② Port size	③ Thread connection	④ Thread type
BPC: Metal male connector 	BPCF: Metal female connector 	4: Φ4mm 6: Φ6mm 8: Φ8mm 10: Φ10mm 12: Φ12mm	M5: M5X0.8 01: 1/8" 02: 1/4" 03: 3/8" 04: 1/2"	Blank: PT
BPOC: Hexagon socket head metal male connector 	BPMF: Metal bulkhead female connector 			

BPM 6

① ②

① Model	② Port size
BPM: Metal bulkhead connector 	4: Φ4mm 6: Φ6mm 8: Φ8mm 10: Φ10mm 12: Φ12mm

Specification

Operating pressure range	0~9kgf/cm ² (0~0.9MPa)
Negative pressure	-750mmHg(10Torr)
Proof pressure	1.5MPa
Ambient and fluid temperature (°C)	0~150
Applicable tubing	Soft nylon or polyurethane
Color	Grey/black

Note: The temperature resistance level of the tubing should be confirmed first when used in high temperature environments.

Product feature

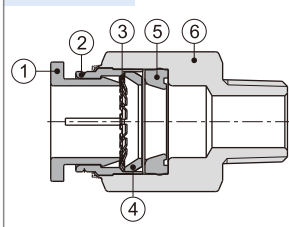
- High flow capacity; The flow rate of these fittings is equivalent to that of the adaptable tubings.
- Inserting or removal tubing is simple and convenient, and the connecting portion is reliable and durable.
- Sealant is coated on threaded portion. The M5 metric thread is attached with a sealing gasket, to ensure no leakage of the threaded connection part.
- The fitting metal body adopts a special nickel-plating process, which has good corrosion resistance.
- Metal fittings can be used in high temperature environment.

Table for interface port and tube O.D.

Product series	Thread type	Port size				
		Φ4	Φ6	Φ8	Φ10	Φ12
BPC	M5	●	●			
	1/8"	●	●	●	●	
	1/4"	●	●	●	●	●
	3/8"		●	●	●	●
	1/2"				●	●
BPOC BPCF	M5	●	●			
	1/8"	●	●	●		
	1/4"		●	●	●	
	3/8"				●	●
	1/2"					●
BPMF	M5					
	1/8"	●	●	●		
	1/4"		●	●	●	
	3/8"				●	●
	1/2"					●
Product series	Port size					
BPM	Φ4	Φ6	Φ8	Φ10	Φ12	
	●	●	●	●	●	

Inner structure

BPC Series

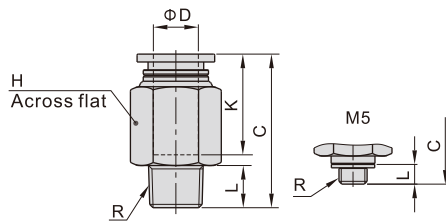


NO.	Name	Material
1	Metal connector	Brass
2	Locating ring	Aluminum alloy
3	Spring gasket	Stainless steel
4	Locating seat	Aluminum alloy
5	Special shape O-ring	Viton
6	Straight connector body	Brass

Metal one-touch fittings

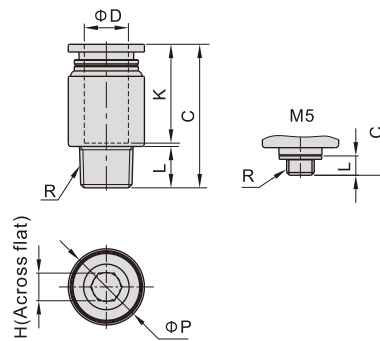
Dimensions

BPC Series



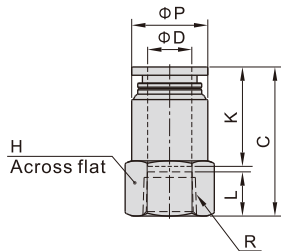
Model/Item	ΦD	R	L	C	K	H	Weight(g)
BPC4M5	4	M5X0.8	3.5	19.5	14	9	5.5
BPC401		1/8"	7.5	19.5	14	10	7.9
BPC402		1/4"	10	19	14	14	8.7
BPC6M5	6	M5X0.8	3.5	22	16	12	10.1
BPC601		1/8"	7.5	21.5	18	12	14.2
BPC602		1/4"	10	24	18	14	19.1
BPC603	8	3/8"	11	22.5	18	17	26.8
BPC801		1/8"	7.5	27.5	18	14	16.1
BPC802		1/4"	10	26.5	18	14	16
BPC803	10	3/8"	11	23	18	17	25.4
BPC1001		1/8"	7.5	29.5	20.5	17	24.5
BPC1002		1/4"	10	32	20.5	17	28
BPC1003	12	3/8"	11	27.5	20.5	17	34.6
BPC1004		1/2"	14	25.5	20.5	21	39.3
BPC1202		1/4"	10	34.5	22	21	44.5
BPC1203	12	3/8"	11	30	22	21	34.2
BPC1204		1/2"	14	32	22	21	47

BPOC Series



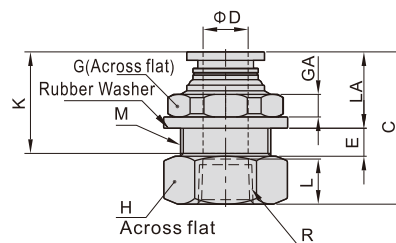
Model/Item	ΦD	R	ΦP	L	C	K	H	Weight(g)
BPOC4M5	4	M5X0.8	9	3.5	18.5	14	2	4.4
BPOC401		1/8"	10	7.5	17.5	14	2.5	6.6
BPOC6M5	6	M5X0.8	12	3.5	21	16	2	7.1
BPOC601		1/8"	12	7.5	21.5	18	4	8.4
BPOC602		1/4"	14	10	21.5	18	4	13.6
BPOC801	8	1/8"	14	7.5	26	17.5	5	12.3
BPOC802		1/4"	14	10	24.5	17.5	6	12.7
BPOC1002	10	1/4"	17	10	28.5	20.5	6	18.5
BPOC1003		3/8"	17	11	27.5	20.5	8	24.9
BPOC1203	12	3/8"	21	11	29.5	22	8	30.4
BPOC1204		1/2"	21	14	31.5	22	8	42.4

BPCF Series



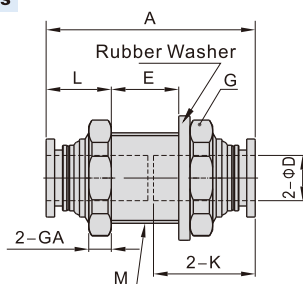
Model/Item	ΦD	R	ΦP	L	C	K	H	Weight(g)
BPCF4M5	4	M5X0.8	9	5	21	14	10	3.5
BPCF401		1/8"	9.5	8	23	14	14	5.3
BPCF6M5	6	M5X0.8	12	5	21	16	12	5.6
BPCF601		1/8"	12.5	8	25	16	14	7.2
BPCF602		1/4"	12.5	11	28	16	17	9.2
BPCF801	8	1/8"	14	8	27	18	14	7.1
BPCF802		1/4"	14.5	11	30	18	17	10.6
BPCF1002	10	1/4"	17	11	32.5	20.5	17	13.5
BPCF1003		3/8"	18	12	33.5	20.5	21	17.5
BPCF1203	12	3/8"	21	12	35	22	21	22
BPCF1204		1/2"	21	13.5	36.5	22	25	24.9

BPMF Series



Model/Item	ΦD	R	M	L	C	K	LA	E	GA	G	H	Weight(g)
BPMF401	4	1/8"	M12X1	8	25	14	12	4	4	14	14	7.6
BPMF601	6	1/8"	M14X1	8	25	16	12	5	4	17	17	10.4
BPMF602		1/4"	M14X1	11	30	16	12	5	4	17	17	12.2
BPMF801	8	1/8"	M16X1	8	27	18	13	5.5	4	19	19	13.9
BPMF802		1/4"	M16X1	11	31.5	18	13	5.5	4	19	19	15.3
BPMF1002	10	1/4"	M20X1	11	34.5	20.5	14	7.5	5	24	22	26.2
BPMF1003		3/8"	M20X1	12	35.5	20.5	14	7.5	5	24	22	24.4
BPMF1203	12	3/8"	M22X1	12	37	22	15	8	6	27	24	32.6
BPMF1204		1/2"	M22X1	13.5	38.5	22	15	8	6	27	25	31.8

BPM Series



Model/Item	ΦD	M	A	K	L	E	G(Across flat)	GA	Weight(g)
BPM4	4	M12X1	28.5	14	10	7	14	4	6.4
BPM6	6	M14X1	33	16	10	11	17	4	16.4
BPM8	8	M16X1	37	18	11	13	19	4	15.8
BPM10	10	M20X1	41.5	20.5	12	16	24	5	28.9
BPM12	12	M22X1	45	22	13	17.5	27	6	40.3

One-touch fittings—tube-tube type

Ordering code

Same diameter type fittings

PE 6 □
① ② ③

① Model				② Port size	③ Standard color		
PM: Bulkhead union 	PE: Union tee 	PP: Plug 	PV: Union elbow 	4: Φ4mm 6: Φ6mm 8: Φ8mm 10: Φ10mm 12: Φ12mm	Standard color	Specification	Adaptable model
PLM: Bulkhead male elbow 	PY: Union "Y" 	PZ: Cross 	PU: Straight union 		Blank: Gray	Release button: Gray Body: Gray	PM Others
					D: Black	Release button: Black Body: Black	PM Others

Different diameter type fittings

PEG 6-4 □
① ② ③ ④

① Model					② Port size I	③ Port size II	④ Standard color	
PG: Different diameter straight 	PZG: Different diameter cross 	PEW: Different diameter tee 	PYW: Different diameter union "Y" 	PGJ: Plug-in reducer 	4: Φ4mm 6: Φ6mm 8: Φ8mm 10: Φ10mm 12: Φ124mm	4: Φ4mm 6: Φ6mm 8: Φ8mm 10: Φ10mm	Standard color	Specification
PEG: Different diameter tee 	PKG: Reducer triple branch union 	PHK: Universal reducer triple branch union 	PHD: Universal reducer four branch union 				Blank: Gray	Release button: Gray Body: Gray
							D: Black	Release button: Black Body: Black

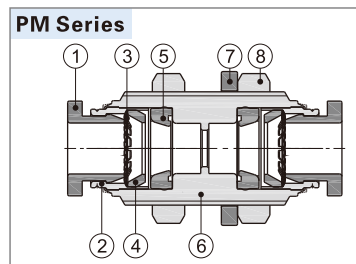
Specification

Operating pressure range	0~10kgf/cm ² (0~1.0MPa)
Negative pressure	-750mmHg(10Torr)
Proof pressure	1.5MPa
Ambient and fluid temperature (°C)	-20~70
Applicable tubing	Soft nylon or polyurethane
Color	Grey/black

Product feature

- Variable models can be widely used in every kind of pneumatic systems.
- High circulation performance: bear the same flow with the volume of the tubing inside diameter.
- Connect tubing easily and conveniently. The tubing connection portion is safe and durable.
- The threaded portion is covered with sealant and the M5 thread is attached with a sealing gasket to prevent air leakage over the connection thread portion.

Inner structure



No.	Item	Material
1	Release button	POM
2	Guide	Aluminum alloy
3	Spring gasket	Stainless steel
4	Chuck	POM
5	O-ring	NBR
6	Body	Aluminum alloy
7	Rubber washer	NBR
8	Nut	Aluminum alloy

Table for interface port and tube O.D.

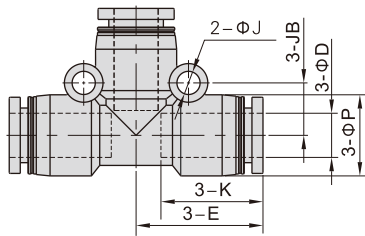
Product series	Port size I	Port size II				
		Φ4	Φ6	Φ8	Φ10	Φ12
PG PGJ	Φ4					
	Φ6	●				
	Φ8	●	●			
	Φ10		●	●		
	Φ12			●	●	●
PEG PEW PYW	Φ4					
	Φ6	●				
	Φ8		●			
	Φ10			●		
	Φ12			●	●	
PZG	Φ4					
	Φ6	●				
	Φ8		●			
	Φ10			●		
	Φ12				●	●
PKG	Φ4					
	Φ6	●				
	Φ8		●			
	Φ10			●		
	Φ12				●	●
PHK PHD	Φ4					
	Φ6					
	Φ8		●			
	Φ10			●		
	Φ12				●	●
Product series		Port size				
		Φ4	Φ6	Φ8	Φ10	Φ12
PE, PY, PV, PU PM, PLM, PP, PZ		●	●	●	●	●

Accessories—One-Touch Fittings

One-touch fittings—tube-tube type

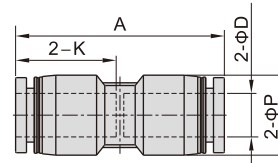
Dimensions

PE Series



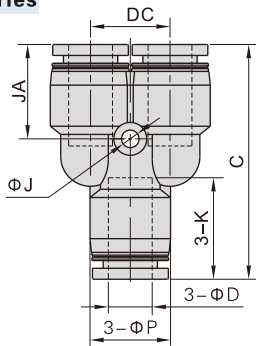
Model\Item	ΦD	ΦP	K	E	ΦJ	JB	Weight(g)
PE4	4	9	14	17	3.2	6.5	3.1
PE6	6	12.5	16.5	20	3.2	8	6.1
PE8	8	15	18.5	23	4.3	9.5	8.8
PE10	10	18	21	26.5	4.3	11	13.8
PE12	12	21	23	30	4.3	13	21

PU Series



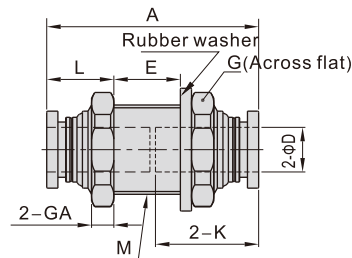
Model\Item	ΦD	ΦP	K	A	Weight(g)
PU4	4	9	14	29.5	1.7
PU6	6	12.5	16.5	34	3.6
PU8	8	15	18.5	38.5	5
PU10	10	18	21	43	8.1
PU12	12	21	23	47	12

PY Series



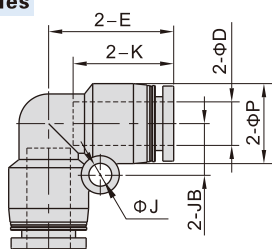
Model\Item	ΦD	ΦP	C	K	ΦJ	JA	DC	Weight(g)
PY4	4	9	31.5	14	3.2	13	10	3
PY6	6	12.5	37	16.5	3.2	15.5	12	6
PY8	8	15	42.5	18.5	3.2	17	14.5	8.6
PY10	10	18	48.5	21	4.3	19.5	18	14
PY12	12	21	54.5	23	4.3	21	20.5	21.2

PM Series



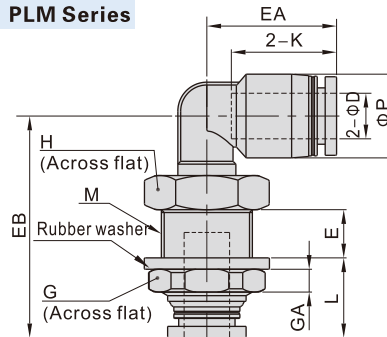
Model\Item	ΦD	M	A	K	L	E	GA	G	Weight(g)
PM4	4	M12X1	29	14	10	7	4	14	6.2
PM6	6	M14X1	34	16.5	10.5	11	4	17	9.5
PM8	8	M16X1	38	18.5	11.5	13	4	19	15.7
PM10	10	M20X1	43	21	12.5	16	5	24	22.5
PM12	12	M22X1	46.5	23	13.5	17.5	6	27	29.5

PV Series



Model\Item	ΦD	ΦP	K	E	ΦJ	JB	Weight(g)
PV4	4	9	14	17	3.2	6.5	1.9
PV6	6	12.5	16.5	20	3.2	8	4.2
PV8	8	15	18.5	23	4.3	9.5	6
PV10	10	18	21	26.5	4.3	11	9.3
PV12	12	21	23	30	4.3	13	14.6

PLM Series

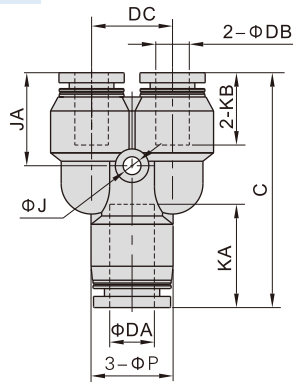


Model\Item	ΦD	ΦP	M	L	E	K	EA	EB	GA	G	H	Weight(g)
PLM4	4	9	M12X1	12	7.5	14	17	31	4	14	14	7.5
PLM6	6	12.5	M14X1	12.5	8.5	17	20	35.5	4	17	17	12.1
PLM8	8	15	M16X1	13.5	9	18.5	23	39	4	19	19	16.6
PLM10	10	18	M20X1	14.5	11	21	25.5	44.5	5	24	22	26.2
PLM12	12	21	M22X1	15.5	11	23	29.5	48	6	27	24	34

Accessories—One-Touch Fittings

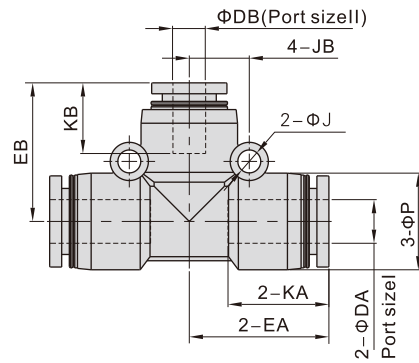
One-touch fittings—tube-tube type

PYW Series



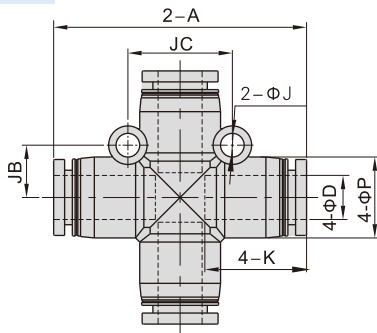
Model\Item	ΦDA	ΦDB	C	ΦP	KA	KB	ΦJ	JA	DC	Weight(g)
PYW6-4	6	4	36.5	12.5	16.5	14	3.2	15	12	5.8
PYW8-6	8	6	42	15	18.5	16.5	3.2	16.5	14.5	9.1
PYW10-8	10	8	48.5	18	21	18.5	4.3	19	18	14.1
PYW12-8	12	8	54	21	23	18.5	4.3	20.5	20.5	22.3
PYW12-10	12	10	54.5	21	23	21	4.3	21	20.5	21.7

PEG Series



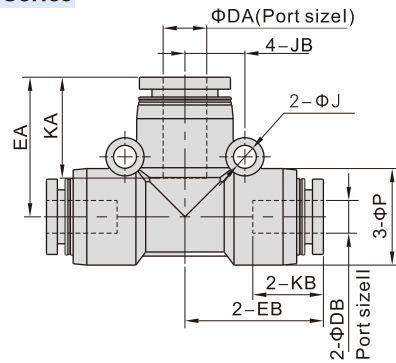
Model\Item	ΦDA	ΦDB	ΦP	KA	KB	EA	EB	ΦJ	JB	Weight(g)
PEG6-4	6	4	12.5	16.5	14	20.0	19.5	3.2	8	7
PEG8-6	8	6	15	18.5	16.5	22.5	22	4.3	9.5	22.8
PEG10-8	10	8	18	21	18.5	25.5	25.5	4.3	11	15.1
PEG12-8	12	8	21	23	18.5	29	28.5	4.3	13	2.2
PEG12-10	12	10	21	23	21	29	29	4.3	13	21.5

PZ Series



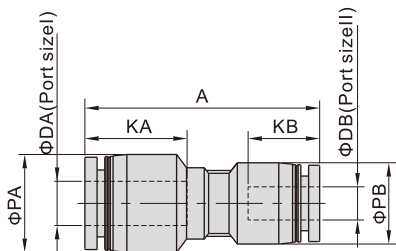
Model\Item	ΦD	A	ΦP	K	ΦJ	JB	JC	Weight(g)
PZ4	4	34	9	14	3.2	6.5	13	3.9
PZ6	6	39.5	12.5	16.5	3.2	8	16	7.9
PZ8	8	46	15	18.5	4.3	9.5	19	11.1
PZ10	10	52.5	18	21	4.3	11	22	17.5
PZ12	12	59.5	21	23	4.3	13	26	26.6

PEW Series



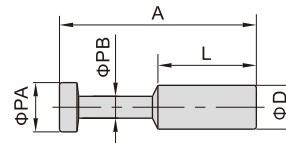
Model\Item	ΦDA	ΦDB	ΦP	KA	KB	EA	EB	ΦJ	JB	Weight(g)
PEW6-4	6	4	12.5	16.5	14	20	19.5	3.2	8	7
PEW8-6	8	6	15	18.5	16.5	22.5	22	4.3	9.5	22.8
PEW10-8	10	8	18	21	18.5	25.5	25.5	4.3	11	15.1
PEW12-8	12	8	21	23	18.5	29	28.5	4.3	13	2.2
PEW12-10	12	10	21	23	21	29	29	4.3	13	21.5

PG Series



Model\Item	ΦDA	ΦDB	ΦPA	ΦPB	KA	KB	A	Weight(g)
PG6-4	6	4	12.5	9	16.5	14	33.5	2.7
PG8-4	8	4	15	12.5	18.5	14	37.5	4.5
PG8-6	8	6	15	12.5	18.5	16.5	38	4.5
PG10-6	10	6	18	15	21	16.5	42	6.9
PG10-8	10	8	18	15	21	18.5	42.5	6.7
PG12-8	12	8	21	18	23	18.5	46.5	10.3
PG12-10	12	10	21	18	23	21	47	10.2

PP Series

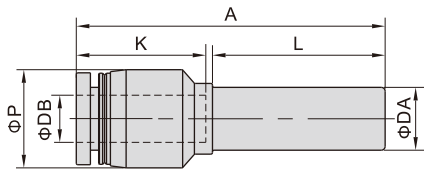


Model\Item	ΦD	ΦPA	ΦPB	L	A	Weight(g)
PP4	4	5	3	15	27.5	0.7
PP6	6	7	3	17	32	0.9
PP8	8	9	4	18	36	1.6
PP10	10	11	5	20	42	2.5
PP12	12	13	6	23	44	4.3

Accessories—One-Touch Fittings

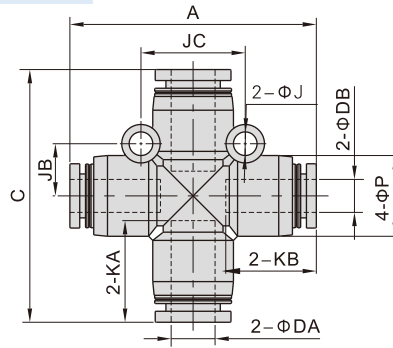
One-touch fittings—tube-tube type

PGJ Series



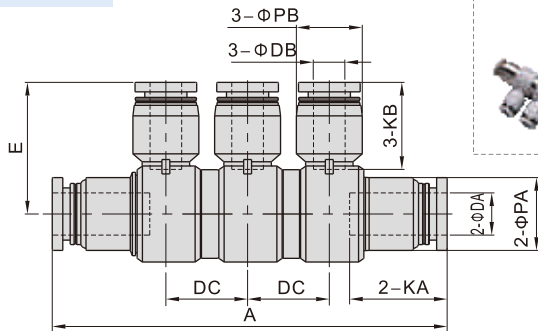
Model\Item	ΦDA	ΦDB	ΦP	K	L	A	Weight(g)
PGJ6-4	6	4	9	14	21	35	1.5
PGJ8-4	8	4	12.5	14	22	39	2.6
PGJ8-6	8	6	12.5	16.5	22	39.5	3.2
PGJ10-6	10	6	15	16.5	25	44	4.1
PGJ10-8	10	8	15	18.5	25	44.5	3.9
PGJ12-8	12	8	18	18.5	26	48.5	6.2
PGJ12-10	12	10	18	21	26	49	6

PZG Series



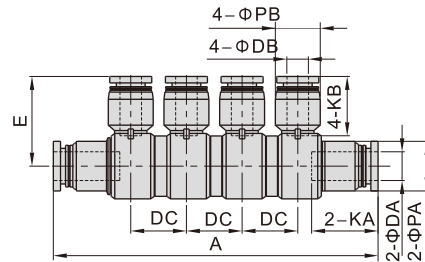
Model\Item	ΦDA	ΦDB	A	C	ΦP	KA	KB	ΦJ	JB	JC	Weight(g)
PZG6-4	6	4	39	39.5	12.5	16.5	14	3.2	8	16	8.2
PZG8-6	8	6	45	46	15	18.5	16.5	4.3	9.5	19	12
PZG10-8	10	8	52	52.5	18	21	18.5	4.3	11	22	18.1
PZG12-10	12	10	59	59.5	21	23	21	4.3	13	26	29

PHK Series



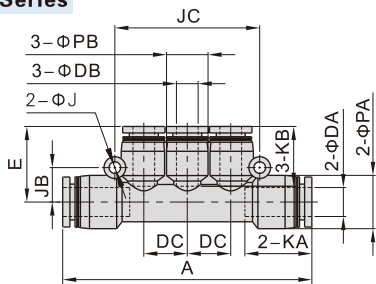
Model\Item	ΦDA	ΦDB	A	ΦPA	ΦPB	KA	KB	DC	E	Weight(g)
PHK8-6	8	6	75	14	12.5	18.5	16.5	15.5	25	28.4
PHK10-8	10	8	85.5	17	15	21	18.5	16.5	29.5	45

PHD Series



Model\Item	ΦDA	ΦDB	A	ΦPA	ΦPB	KA	KB	DC	E	Weight(g)
PHD8-6	8	6	90.5	14	12.5	18.5	16.5	15.5	25	18.7
PHD10-8	10	8	102.5	17	15	21	18.5	16.5	29.5	52.7

PKG Series



Model\Item	ΦDA	ΦDB	A	ΦPA	ΦPB	KA	KB	ΦJ	JB	JC	DC	E	Weight(g)
PKG6-4	6	4	58	12.5	9	16.5	14	3.2	8	34	10	17.5	8.6
PKG8-6	8	6	69	15	12.5	18.5	16.5	3.2	9.5	40	12	21	13.5
PKG10-8	10	8	80	18	15	21	18.5	4.3	11	48	14.5	24	20.7

One-touch fittings—threaded type

Ordering code

BB 01 01 □



① Model	② Thread connection I	③ Thread connection II	④ Thread type
BB: Male connector 	BD: Male & female connector[Note1] 	BU: Double female connector 	BZ: Hexagon head cap plug[Note2]
	01: 1/8" 02: 1/4" 03: 3/8" 04: 1/2"	01: 1/8" 02: 1/4" 03: 3/8" 04: 1/2"	Blank: PT

[Note1] For BD series, Thread I is Female thread, Thread II is male thread; [Note2] For BZ series, no thread II and thread I is male thread.

Specification

Operating pressure range	0~10kgf/cm²(0~1.0MPa)
Negative pressure	-750mmHg(10Torr)
Proof pressure	3.0MPa
Ambient and fluid temperature (°C)	0~150

Configuration table of tubing thread

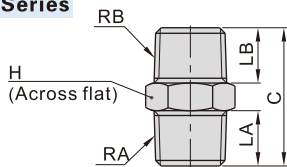
Product series	Thread connection I	Thread connection II			
		01	02	03	04
BB	01	●	●	●	●
	02		●	●	●
	03			●	●
	04				●
BD	01		●	●	●
	02			●	●
	03				●
	04				
BU	01	●			
	02		●		
	03			●	
	04				●
Product series	Thread connection				
	01	02	03	04	
BZ	●	●	●	●	

Product feature

1. Variable models can be widely used in every kind of pneumatic systems.
2. High circulation performance bear the same flow with the volume of the tube innerdiameter.
3. The nickel plated body is anti-corrosion and anti-pollution, which allows a broader application.
4. Metal fittings can be used in high temperature environment.

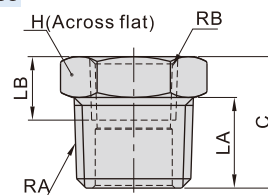
Dimensions

BB Series



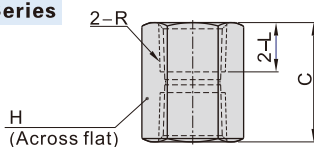
Model\Item	RA	RB	LA	LB	C	H	Weight(g)
BB0101	1/8"	1/8"	7.5	7.5	19.5	10	6.6
BB0102	1/4"	1/8"	10	7.5	22.5	14	12.1
BB0103	3/8"	1/8"	11	7.5	24	17	18.3
BB0202	1/4"	1/4"	10	10	25	14	14.6
BB0203	3/8"	1/4"	11	10	26.5	17	20.3
BB0204	1/2"	1/4"	14	10	30	21	34.3
BB0303	3/8"	3/8"	11	11	27.5	17	23.2
BB0304	1/2"	3/8"	14	11	31	21	36.2
BB0404	1/2"	1/2"	14	14	34	21	42.8

BD Series



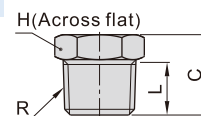
Model\Item	RA	RB	LA	LB	C	H	Weight(g)
BD0102	1/4"	1/8"	10	8	14.5	14	8.8
BD0103	3/8"	1/8"	11	8	16	17	17.1
BD0104	1/2"	1/8"	14	8	19.5	21	33.1
BD0203	3/8"	1/4"	11	11	16	17	12.7
BD0204	1/2"	1/4"	14	11	19.5	21	29.9
BD0304	1/2"	3/8"	14	12	19.5	21	22.5

BU Series



Model\Item	R	L	C	H	Weight(g)
BU0101	1/8"	8	17	12	8.4
BU0202	1/4"	11	23	17	25.4
BU0303	3/8"	12	25	21	40
BU0404	1/2"	13.5	28	24	46.6

BZ Series



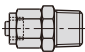
Model\Item	R	L	C	H	Weight(g)
BZ01	1/8"	7.5	11	10	4.6
BZ02	1/4"	10	14.5	14	10.8
BZ03	3/8"	11	16	17	17.4
BZ04	1/2"	14	19.5	21	33

One-touch fittings—threaded type

Ordering code

BKC 06 04 - 01 □

① ② ③ ④ ⑤

① Model	② Tubing outer diameter	③ Tubing inner diameter	④ Thread connection	⑤ Thread type
BKC: Straight locknut connector 	04: Φ4mm 06: Φ6mm 08: Φ8mm 10: Φ10mm 12: Φ12mm	25: Φ2.5mm 04: Φ4mm 05: Φ5mm 06: Φ6mm 65: Φ6.5mm 75: Φ7.5mm 08: Φ8mm 09: Φ9mm	M3: M3X0.5 M5: M5X0.8 01: 1/8" 02: 1/4" 03: 3/8" 04: 1/2"	Blank: PT

Note: When using the tubing Φ8×Φ5.5, the straight lock nut connector of BKC0806 can be used.

Specification

Operating pressure range	0~10kgf/cm ² (0~1.0MPa)
Negative pressure	-750mmHg(10Torr)
Proof pressure	3.0MPa
Ambient and fluid temperature (°C)	0~150

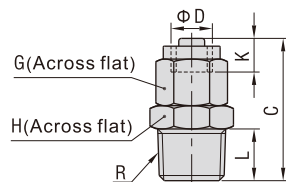
Note: The temperature resistance level of the tubing should be confirmed first when used in high temperature environments.

Product feature

1. Variable models can be widely used in every kind of pneumatic systems.
2. High circulation performance bear the same flow with the volume of the tube inner diameter.
3. The nickel plated body is anti-corrosion and anti-pollution, which allows a broader application.
4. Metal fittings can be used in high temperature environments.

Dimensions

BKC Series



Model\Item	Tubing diameterΦD		R	L	C	K	G	H	Weight(g)	Model\Item	Tubing diameterΦD		R	L	C	K	G	H	Weight(g)		
	O.D	I.D									O.D	I.D									
BKC0425-M3	4	2.5	M3×0.5	3	17	5	8	8	4.4	BKC1065-02	10	6.5	1/4"	10	30	7.5	15	15	25.3		
BKC0425-M5			M5×0.8	3.5	17.5			8	4.8	BKC1065-03			3/8"	11	31.5			17	29.1		
BKC0425-01			1/8"	7.5	20.5			10	7.1	BKC1065-04			1/2"	14	35.5			21	44		
BKC0604-01	6	4	1/8"	7.5	22	10	9.9	BKC1075-02	1/4"	10			30	15	24.1						
BKC0604-02			1/4"	10	25.5	5.5	10	14	15.8	BKC1075-03			3/8"	11	31.5			17	28.9		
BKC0604-03			3/8"	11	27	17	22.5	BKC1075-04	1/2"	14			35.5	21	43.6						
BKC0805-01	8	5	1/8"	7.5	24	6.5	12	12	12.8	BKC1208-02	12	8	1/4"	10	30	7.5	17	17	30.5		
BKC0805-02			1/4"	10	27.5			14	17.2	BKC1208-03			3/8"	11	31.5			17	32.1		
BKC0805-03			3/8"	11	29			17	23.7	BKC1208-04			1/2"	14	35.5			21	46.7		
BKC0806-01			5.5or6	1/8"	7.5			24	12	13.1			BKC1209-02	g	10			30	17	30.6	
BKC0806-02				1/4"	10			27.5	14	17.2			BKC1209-03	or	3/8"			11	31.5	17	31.9
BKC0806-03				3/8"	11			29	17	23.6			BKC1209-04	10	1/2"			14	35.5	21	46.4

Installation and application

1. Method of inserting or removal a tubing
 - 1.1 Inserting a tubing
Place the locking cap over the tubing, and insert the tubing into the body, then tighten the locking cap. (As figure 1)
 - 1.2 Removing a tubing
Loosen the locking cap first, then remove the tubing. (As figure 2)
2. Method of tightening the connector thread
Tighten the connector with a hex wrench, as shown right.

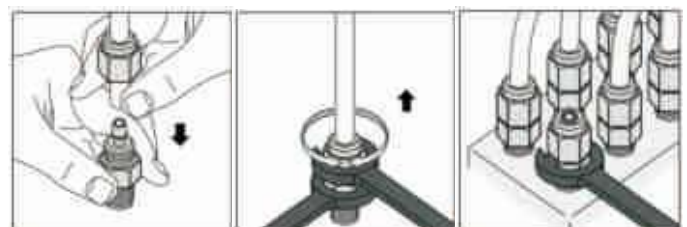


Figure 1

Figure 2

Figure 3