

Installation and Operation

1. Installation and removal of tubing:

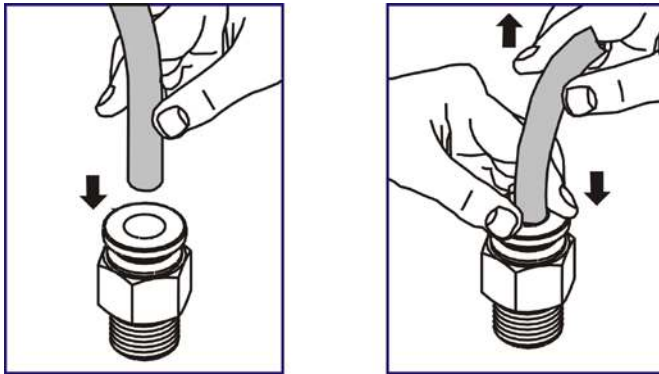
1.1. Installation of tubing

Grasp the tubing and slowly push it into the fitting until it comes to a stop. The tubing will be locked by the spring gasket.

1.2. Removal of tubing

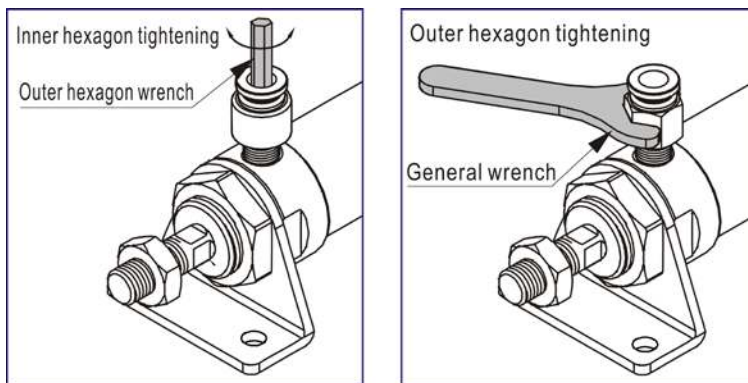
Push the release button to open the spring gasket so that the tubing can be released.

Note: When remove the tubing, make sure the pressure in the tubing is Zero.



2. Connection thread tightening method

Use an inner or outer hexagon wrench to tighten the fitting as show in the picture below.



Note: Please refer to the tables below for the tightening torque and the depth of the thread screw-in.

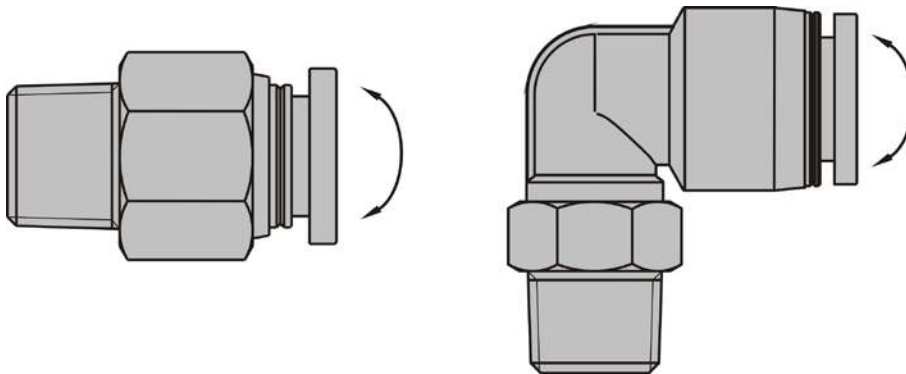
Recommended tightening torque(N.m)					
Thread type	M5	1/8"	1/4"	3/8"	1/2"
Tightening torque	1~1.5	7~9	12~14	22~24	28~30

	Depth of the thread screw-in (mm)		
	Model\Item	Thread Length A	Depth of the thread A1
	M5	3	3
	1/8"	7.5	4
	1/4"	10	6
	3/8"	11	6.5
	1/2"	14	8

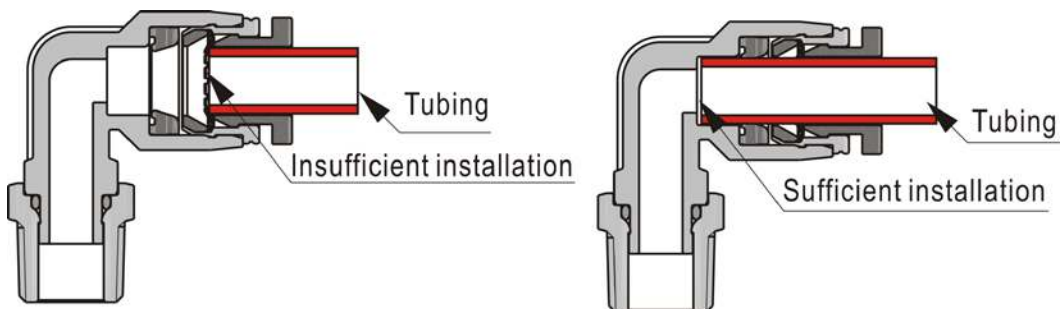
Note: If the fitting is connected with other parts, the external dimension L will be the value of the overall length of the fitting (B) minus the depth of the thread screw-in (A1).

3. Caution

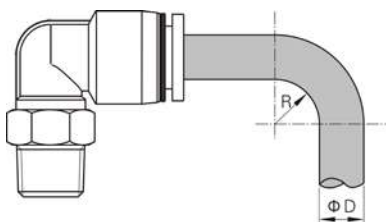
3.1. External force (bend, twist, and tension) may damage the fitting and cause air leakage.



3.2. Insufficient installation may cause air leakage or the tubing to release.



3.3. Pulling or twisting the tubing excessively may damage the fitting. For a mounting guide, see the table below.



Minimum bending radius of the tubing(mm)	
Tubing O.D.(ΦD)	Minimum bending radius(R)
4	20
6	30
8	50
10	80
12	150

4. Connection thread tightening method of the fitting with M5 type thread First, tighten by hand, then use a wrench to tighten an additional 1/4 turn. Excessive tightening may damage the thread portion or deform the gasket and cause air leakage. Insufficient tightening may loosen the threads, or cause air leakage.

5. Tolerance of the Polyurethane tubing O.D.

Polyurethane tubing O.D.(mm)	4	6	8	10	12
Tolerance(mm)	±0.1	±0.1	±0.1	±0.15	±0.15

6. Other precautions

6.1. Before piping is connected, it should be washed to remove chips and other debris from inside the pipe.

6.2. Ensure the tubing being cut perpendicularly and no damage or scratch on the surface of the tubing outside diameter.

6.3. Use pipe length with sufficient margin to avoid over-bending on the top of the fitting.

6.4. Pull the tubing back gently to make sure it has a positive seal before using.

6.5. Push the release button flange evenly and sufficiently to release the button. If the release button is not held down sufficiently, the tubing cannot be withdrawn and the outer surface of the tubing may be scratched and cause air leakage.

6.6. When removing tubing, do not rotate around or 360 degree. This may result in scratch and removal of the tubing difficult.

6.7. When screwing together pipes and fittings, be certain that chips from the pipe threads and sealing material do not get inside the pipe. Also, when the pipe tape is used, leave approx. 1.5~2 thread ridges exposed at the end of the threads.

7. Safety instructions

7.1. When remove the tubing, make sure the pressure in the tubing is Zero.

7.2. Do not use the ordinary fittings and tubing in locations where spatter is generated.

Spattering may result in a fire hazard.

7.3. Ensure that the pressure and ambient temperature are within the specified range.

7.4. Do not use in an atmosphere having corrosive gases, chemicals, sea water, water, water steam, or where there is direct contact with any of these.

7.5. Do not use in a place subject to heavy vibration and/or shock.