

---

## Installation and application

### 1. Method of inserting or removal a tubing

#### 1.1 .Inserting a tubing

Place the locking cap over the tubing, and insert the tubing into the body , then tighten the locking cap. (As figure 1)

#### 1.2 .Removing a tubing

Loosen the locking cap first, then remove the tubing. (As figure 2)

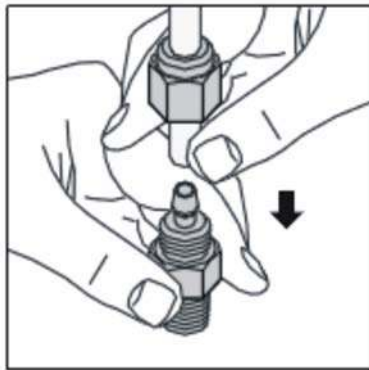


Figure 1

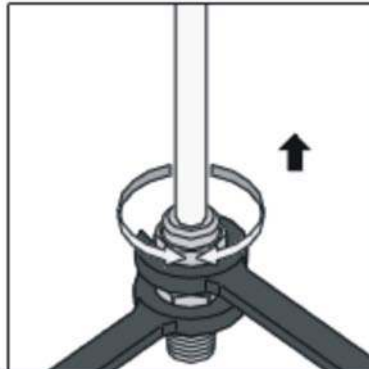


Figure 2

### 2. Method of tightening the connector thread

Tighten the connector with a hex wrench, as shown below.

