

Preparation unit—A, B Series



AR, BR Series Regulator



Symbol



Product feature

1. The structure is delicate and compact, which is convenient for installation and application.
2. The pressed-in self-locking mechanism can prevent the abnormal movement of the set pressure caused by external interfere.
3. In addition to standard type, lower pressure type is optional (The highest adjustable pressure is 0.4MPa).

Specification

| Model | AR1500 | AR2000 | BR2000 | BR3000 | BR4000 |
|-------------------|-----------------------|--------|--------|--------|--------|
| Fluid | Air | | | | |
| Port size [Note1] | 1/8" | 1/4" | 1/4" | 3/8" | 1/2" |
| Pressure range | 0.05~0.9MPa(7~130Psi) | | | | |
| Max. pressure | 1.0MPa(145Psi) | | | | |
| Proof pressure | 1.5MPa(215Psi) | | | | |
| Temperature range | -20~70°C | | | | |
| Weight | 200g | | | 230g | |

[Note1] PT thread, G thread and NPT thread are available.

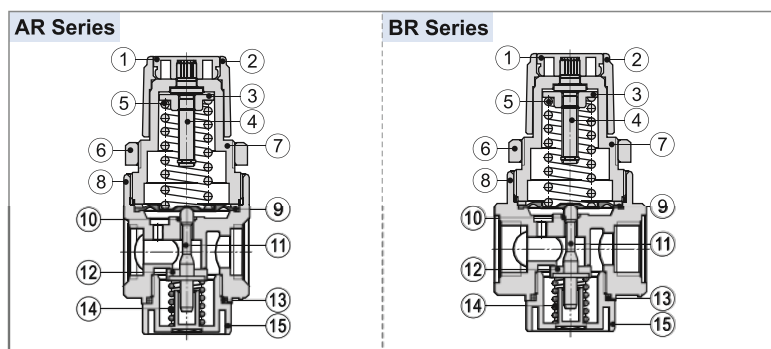
Ordering code

AR 2000 L 1

① ② ③ ④ ⑤ ⑥ ⑦

| ① Model | ② Port size | ③ Type code | ④ Accessories | ⑤ Pressure gauge | ⑥ Scale | ⑦ Thread type |
|------------------------|--|--|---------------------------------|---|--|--|
| AR: A Series Regulator | 1500: 1/8" 2000: 1/4" | Blank: Standard (0.9MPa) L: Lower pressure (0.4MPa) | Blank: Bracket J: No bracket | Blank: Pressure gauge N: No pressure gauge | 1: MPa 2: psi 3: bar 4: kgf/cm ² & psi | Blank: PT (Scale: Mpa or kgf/cm ² & psi) G: G(Scale:bar) T: NPT(Scale:psi) |
| BR: B Series Regulator | 2000: 1/4" 3000: 3/8" 4000: 1/2" | | | | | |

Inner structure



| No. | Item | Material |
|-----|------------------|-------------------------|
| 1 | Push button | POM |
| 2 | Adjusting button | POM |
| 3 | Adjusting nut | Steel |
| 4 | Adjusting pillar | Steel |
| 5 | Adjusting spring | SWC |
| 6 | Fixed ring | POM |
| 7 | Adjusting seat | POM |
| 8 | Body | Aluminum alloy |
| 9 | Diaphragm | SUS304 & rubber |
| 10 | Needle O-ring | NBR |
| 11 | Balance needle | POM |
| 12 | Needle gasket | Aluminum alloy & rubber |
| 13 | Cap O-ring | NBR |
| 14 | Return spring | Stainless steel |
| 15 | Regulator cap | POM |



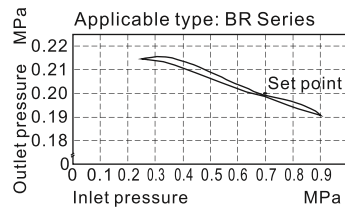
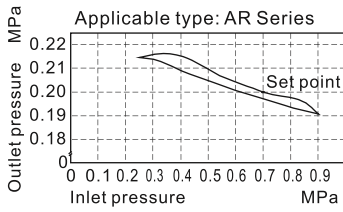
Preparation unit—A, B Series



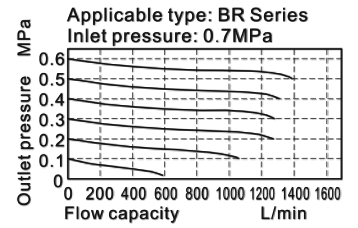
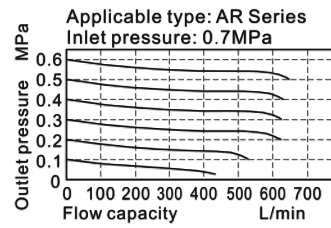
AR, BR Series Regulator

Pressure and feature of flow

Pressure chart

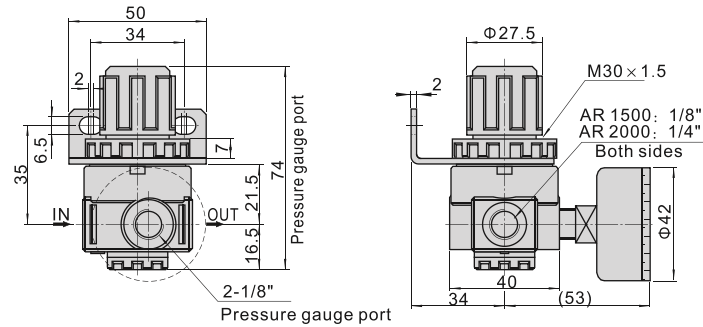


Flow chart



Dimensions

AR Series



BR Series

