

# Fluid control valve(2/2way)

## 2W Series (Internally piloted and normally closed)



### Symbol



### Product feature

1. Indirect acting (Internal pilot) and normally closed type 2/2 way solenoid valve. Its can change direction quickly and has large flow.
2. It is compact, small and light weight. It is easy to install and dismantle;
3. The valve body is made of brass. The coil has a Heat resistance classification of Class B. The standard seal material is FPM-F. Please contact us if other material are required.
4. The protection class of the coil is IP65 and there is a choice for grommet or terminal electrical entry.

### Specification

Model\Item	Port size [Note1]	Orifice size (Φmm)	Cv	Valid area or section (mm <sup>2</sup> )	Weight [Note2](g)	Operating pressure differential		Proof pressure	
						MPa	psi	MPa	psi
2W150-15	1/2"	15.0	5.50	100.0	720	Max: 1.0 Min: 0.05	Max: 150 Min: 10	1.5	220
2W200-20	3/4"	20.0	9.50	170.0	950				
2W250-25	1"	25.0	12.5	220.0	1200				

[Note1] PT thread, G thread and NPT thread are available.

[Note2] The weight in the table is the terminal valve's weight, grommet valve's weight is 10g less than terminal's.

### Specification of coil

Valve type	Coil type	Power type	Frequency (Hz)	Voltage range	Electrical entry	Power Consumption (VA/W)	Insulation	Temp. rise(°C)
2W150	CDA116	AC	50	± 15%	Terminal (CDA)	10.0VA	Class B	35
2W200			60			8.0VA		30
2W250	CLA116	DC	-	± 10%	Grommet (CLA)	6.5W		30

### Valve's specification

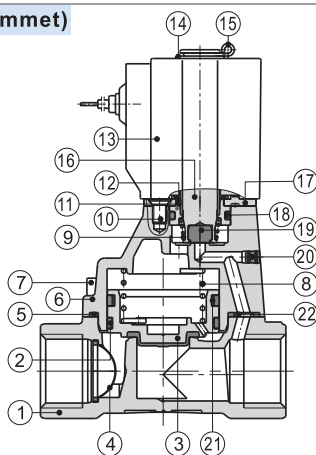
Acting		Internally piloted			
Initial state		Normally closed			
Adaptable fluid [Note1]		Air, Water, Oil			
Viscosity limit		Under 20CST			
Ambient and fluid temperature (°C)		Water	Air	Oil	Ambient
	Max.	80	90	80	70
	Min.	1	-20 [Note2]	-10 [Note3]	-20

[Note1] Please refer to P145 for detail of other's fluid;

[Note2] Dew point: -20(°C) or less; [Note3] 50CST or less.

### Inner structure

#### 2W150 (Grommet)



No.	Item	No.	Item	No.	Item
1	Body	9	Spring	16	Movable core
2	Filter	10	Screw	17	Fixed plate
3	Piston	11	Fixed cap	18	O-ring
4	Wear ring	12	Washer	19	Airtight ring
5	O-ring	13	Coil assembly	20	Plug
6	Cover	14	Washer	21	Spring
7	Screw	15	E Clip	22	Spacer
8	Spring				

### Ordering code

#### Ordering code of valves

2W 150 15 A □ □

① ② ③ ④ ⑤ ⑥

① Model	② Orifice size	③ Port size	④ Voltage	⑤ Electrical entry	⑥ Thread type
2W: 2/2 way internally piloted and normally closed	150: Φ15mm	15: 1/2"	A: AC220V B: DC24V C: AC110V E: AC24V F: DC12V	Blank: Terminal I: Grommet	Blank: PT G: G T: NPT
	200: Φ20mm	20: 3/4"			
	250: Φ25mm	25: 1"			

#### Ordering code of accessories

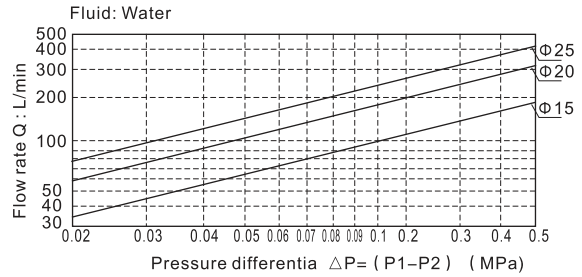
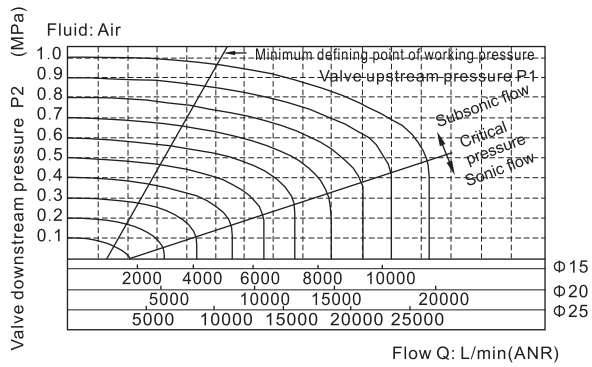
Ordering code of accessories is the same as 2S series valve's, Please refer to P122 for details of ordering code.

[Note] 320\400\500 series valves do not have mounting accessories.

# Fluid control valve(2/2way)

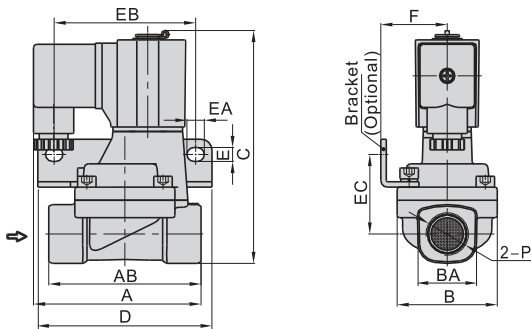
## 2W Series ( Internally piloted and normally closed)

### Flow chart



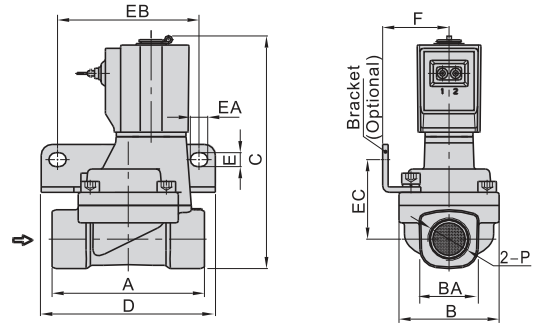
### Dimensions

#### Terminal



Model\Item	A	AB	B	BA	C	D	E	EA	EB	EC	F	P
2W150-15	77	70	46	27.5	107	80	6.4	8	65	36.5	30.5	1/2"
2W200-20	78.5	82	53	33.5	115.5	90	6.4	8	75	40	34	3/4"
2W250-25	81	92	59	40.5	124	95	6.4	8	80	44.5	36	1"

#### Grommet



Model\Item	A	B	BA	C	D	E	EA	EB	EC	F	P
2W150-15	70	46	27.5	107	80	6.4	8	65	36.5	30.5	1/2"
2W200-20	82	53	33.5	115.5	90	6.4	8	75	40	34	3/4"
2W250-25	92	59	40.5	124	95	6.4	8	80	44.5	36	1"

